

**Q-Line Closed Style  
Industrial Shelving**

RETAIN INSTRUCTIONS FOR FUTURE REFERENCE

---



QC6-3612S  
Starter unit



QC5-3612S and QC5-3612AB  
Starter unit and Adder unit

**GENERAL SAFETY INFORMATION**

Some parts may have sharp edges. CARE must be taken when handling various pieces to avoid injury. For safety, wear a pair of work gloves when assembling or performing any maintenance on units.

---

**LIMITED WARRANTY**

Tennsco warrants goods purchased hereunder to be free of defects in materials and workmanship for a period of one (1) year from the date of shipment, hereunder. This warranty shall not apply in the event goods are damaged as a result of misuse, abuse, neglect, accident, improper application, modification or repair by persons not authorized by Seller, where goods are damaged during shipment, or where the date stamps on the goods have been defaced, modified or removed. UNLESS CONSIDERED UNENFORCEABLE OR UNLAWFUL UNDER APPLICABLE LAW:

- a. ALL IMPLIED WARRANTIES, INCLUDING BUT NOT LIMITED TO WARRANTIES OR MERCHANTABILITY AND FITNESS FOR A PARTICULAR PURPOSE ARE HEREBY EXCLUDED:
- b. BUYERS REMEDY, IF ANY, FOR ANY DEFECTIVE GOODS SHALL BE LIMITED TO A REFUND BY SELLER OR REPLACEMENT OF THE GOODS AT SELLER'S OPTION, AND SHALL IN NO EVENT INCLUDE DAMAGES OF ANY KIND, WHETHER INCIDENTAL, CONSEQUENTIAL OR OTHERWISE.

NO GOODS ACCEPTED FOR RETURN WITHOUT PRIOR APPROVAL. Seller shall have the right to inspect any goods claimed to be defective at Buyers place of business or require Buyer to return the goods to Seller for inspection on Seller's premises. Transportation charges covering returned goods will be borne by Seller only if such goods are proven to be defective, are covered by this warranty and are returned within the warranty period stated above.

---



**PROUDLY MADE IN THE U.S.A.**

Tennsco LLC., Dickson, TN 37056-1888 • (866) 446-8686

# ASSEMBLY OF CLOSED Q-LINE INDUSTRIAL SHELVING

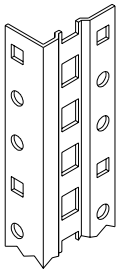
Two people are recommended for assembly. Approximate assembly time: 20-30 minutes.

Tools required: 7/16" or nut driver or socket and a flathead screwdriver.

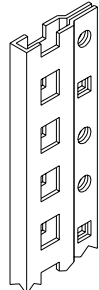
The reference numbers used throughout this sheet refer to the illustration on the back cover.

This is to help you to identify the various parts as they are mentioned.

- 1.** Q-Line uprights come in three different styles, as shown below.



Offset  
Angle Post  
(OAP)

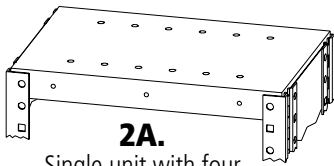


Standard  
Beaded Post  
(BTP)

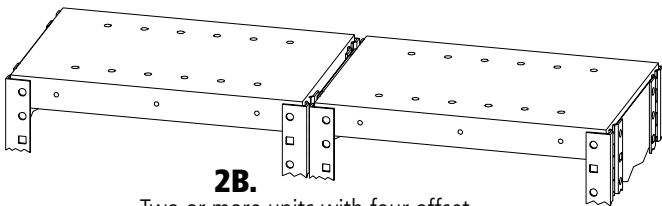


Heavy  
Beaded Post  
(HBP)

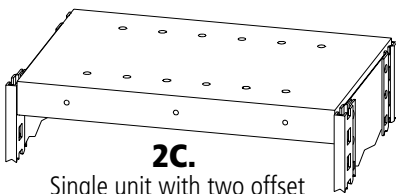
These three upright styles may be used in several different combinations. In order to better understand these instructions, please examine the following configurations to determine which type of installation you will be assembling:



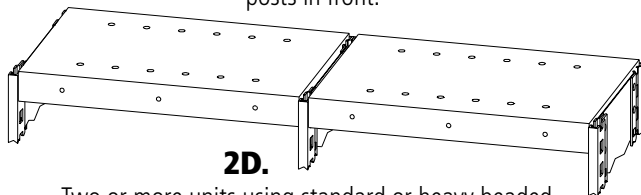
**2A.**  
Single unit with four  
Offset Angle Posts



**2B.**  
Two or more units with four offset  
angle posts per section

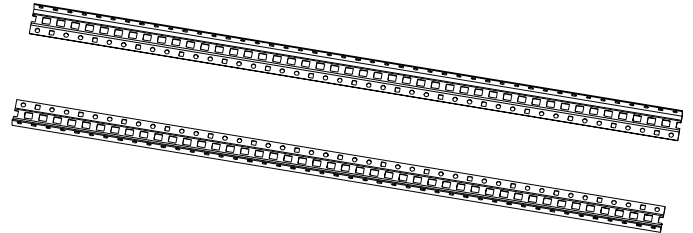


**2C.**  
Single unit with two offset  
angle posts in rear and two  
standard or heavy beaded  
posts in front.



**2D.**  
Two or more units using standard or heavy beaded  
posts in front and offset angle posts in rear

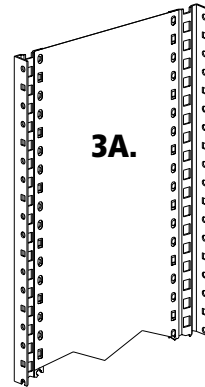
- 2.** Create the right side of the shelving units by laying two uprights side by side on a flat surface. Be sure that the short side of the OAP upright(s) (Ref. No. 1a) is facing up, as shown below.



**NOTE:** One side of the upright is longer than the other, and contains two sets of holes. When laying the uprights side by side, this long side should be on the floor, and the short side should be pointing into the air.

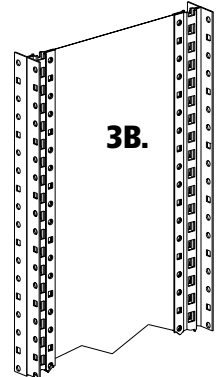
- 3.** Place an end panel (Ref. No. 2) on the uprights, using the drawings below as references for proper assembly. Be sure to choose the proper configuration for your installation:

- 3A.** Used for most single-unit installations (see drawing 2A). Also used on each end of a row of units (see drawing 2B). Make sure the end panel fits into the inset of the uprights.



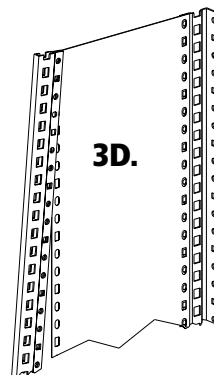
**3A.**

- 3B.** Used as the center, joining upright bank of units (see drawing 2B). The end panel should be sandwiched between the upright posts.



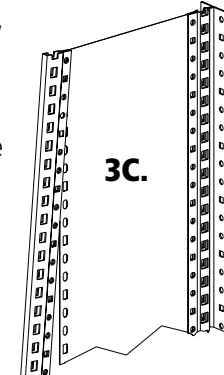
**3B.**

- 3C.** Used for single-unit installations (see drawing 2C). Also used on each end of a row of units (see drawing 2D). The end panel will fit between the flanges in the BTP upright.



**3C.**

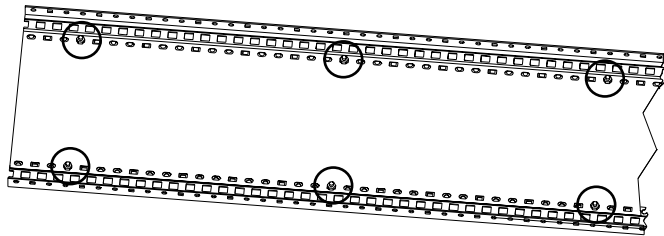
- 3D.** Used as the center, joining the upright in a bank of units (see drawing 2D). Two OAP posts are joined together, with one BTP in front. The end panel will fit between the flanges in the OAP upright.



**3D.**

4. Bolt the panels into the small holes near the edge of both uprights using  $\frac{1}{4}$ "-20 x  $\frac{5}{8}$ " bolts and nuts (Ref. No. 6). Leave 16 or 17 holes (16" or 17") between each bolt, as shown in the circles on the drawing below. Also, if you can predetermine where you want your shelf levels to be, you should try to position the bolts where they will not interfere with the shelves; this will avoid having to move them later. Finger tighten only at this point, as binding may occur during shelf placement if the side panels are attached too tightly.

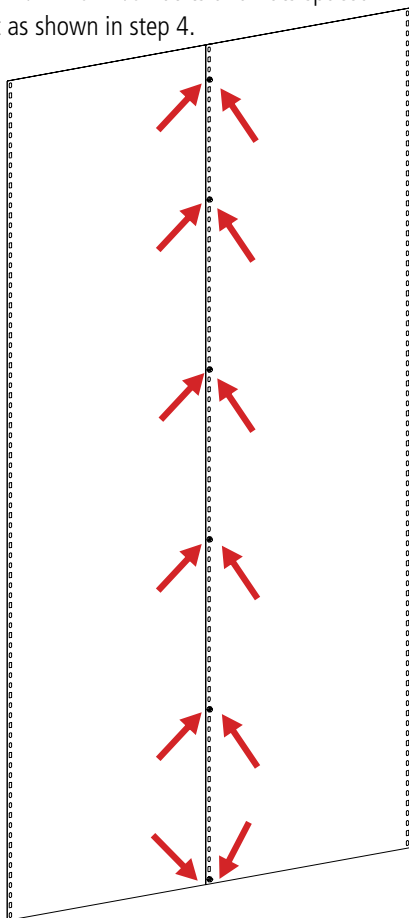
**NOTE: The three holes at the top of the upright must be left open, as shown below to avoid interference with the top shelf later.**



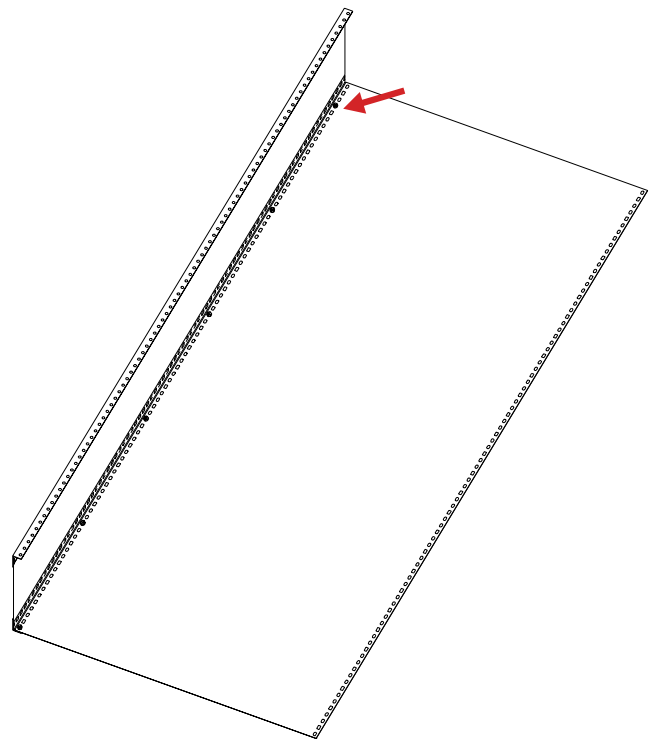
5. Repeat steps 2 through 4 for the left uprights. Again, be sure to note the type of uprights you should be using (according to the illustrations in step 2) for your type of installation. If you have purchased an adder unit such as the example in figure 2D, please note that only one BTP or HBP is used in between the units.
6. If you purchased a 36" wide unit, skip to step 7.

For 42" and 48" wide units, the unit back (Ref. No. 3) is shipped in two pieces. Place the two halves of the unit back together, and bolt together with  $\frac{1}{4}$ "-20 x  $\frac{5}{8}$ " bolts and nuts spaced 16 or 17 inches apart as shown in step 4.

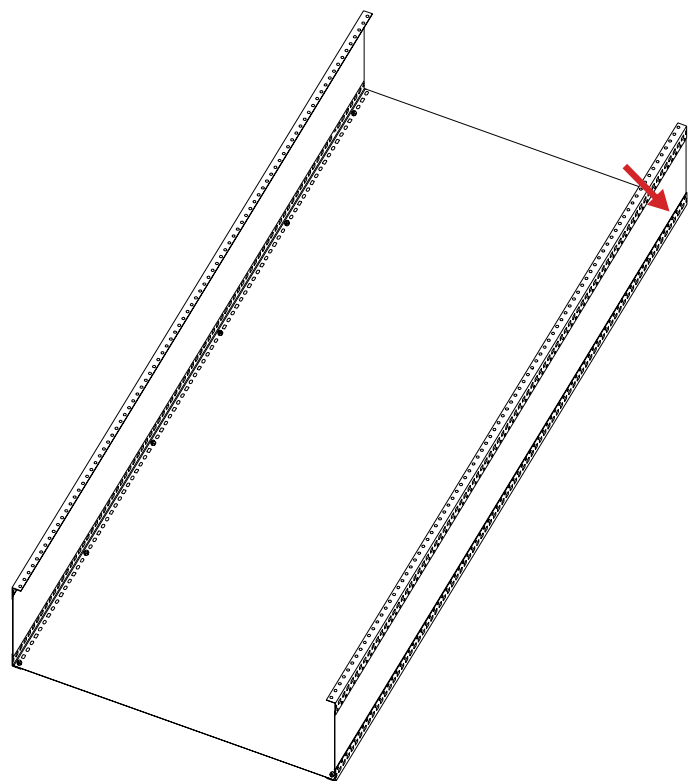
Again, the top three holes should be left empty to leave room for the unit top. Continue to step 7.



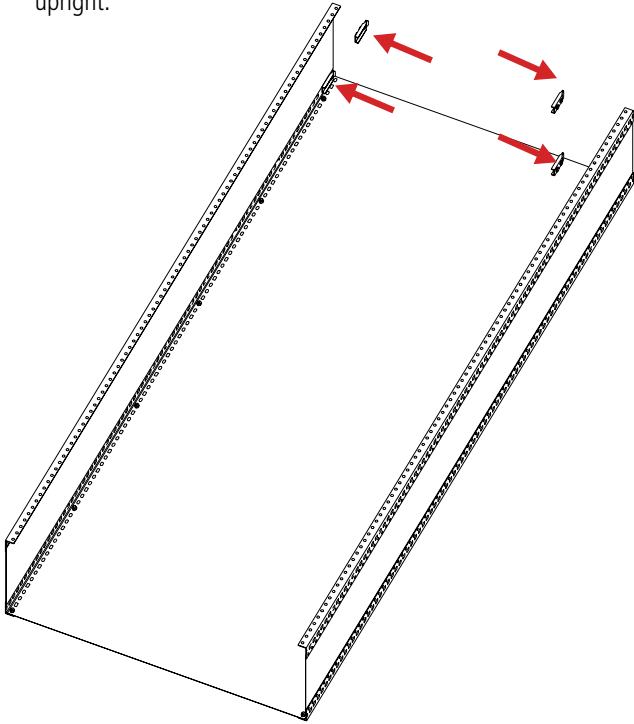
7. Lay the unit back (Ref. No. 3) on a flat surface and attach on end to it using  $\frac{1}{4}$ "-20 x  $\frac{5}{8}$ " bolts and nuts spaced 16" or 17" apart as described in step 4. Once again, leave the top three holes empty to allow for the top shelf.



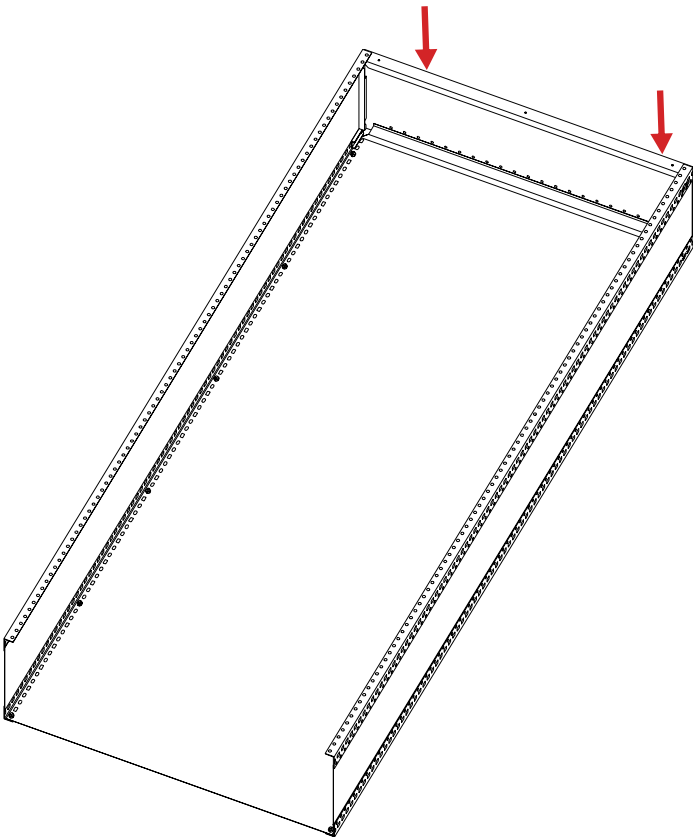
8. With the help of an associate, hold the first upright up as you attach the other upright in the same way as in step 7



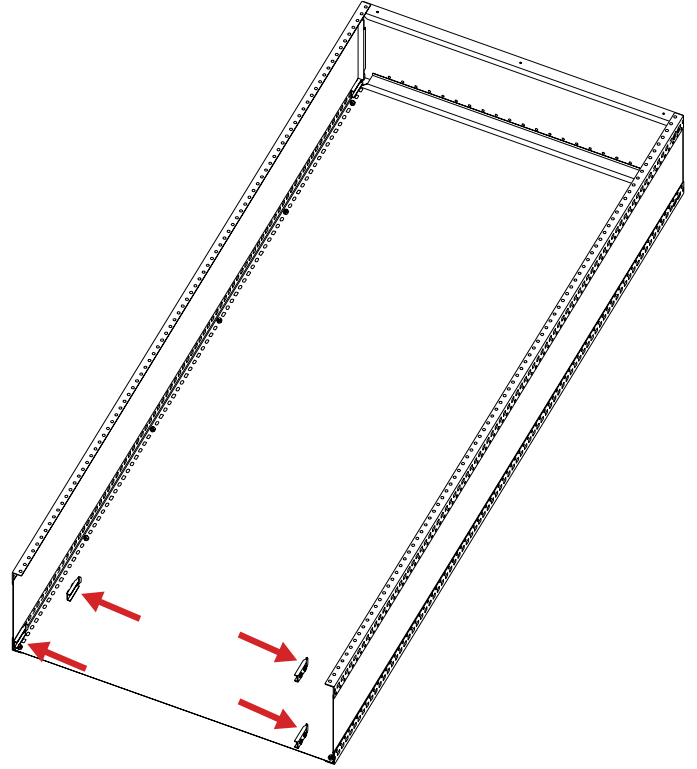
- 9.** With an associate still holding the two uprights, insert four shelf clips (Ref. No. 4) into the top two slots of each side of each upright.



- 10.** Place the top shelf (Ref. No. 5A or 5B) over the four clips at the top of the uprights. Be sure that the shelf is pushed securely into the clips.

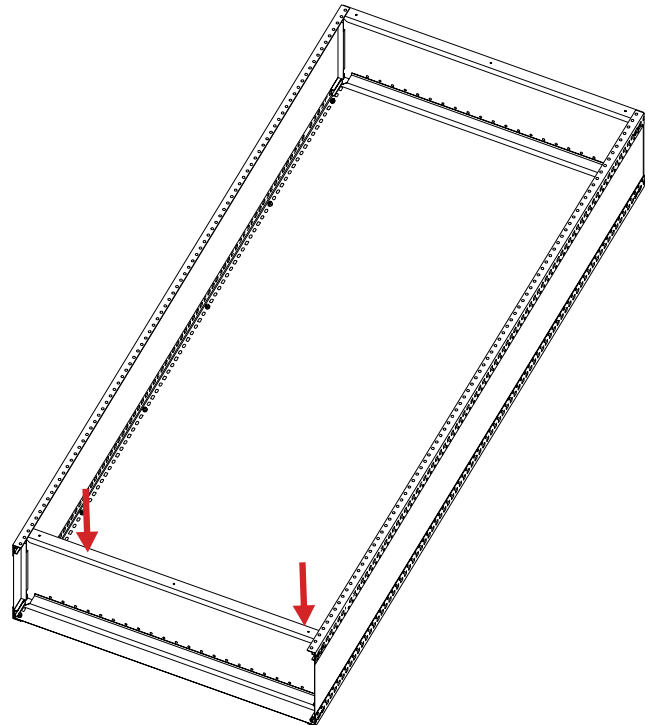


- 11.** Insert four shelf clips into the bottom slots of the uprights in the same way that you did in the top of the uprights in step 9.



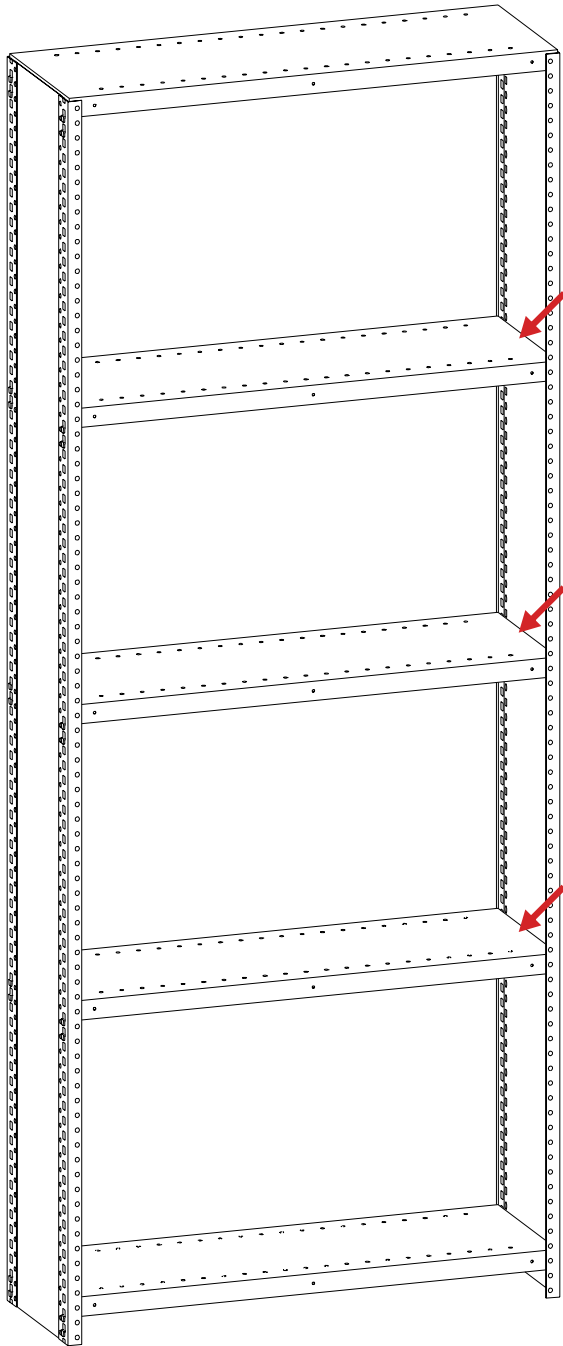
- 12.** As you did in step 10, place a shelf securely onto the bottom four clips.

**NOTE:** Once the bottom shelf is in place, use the help of an associate to carefully lift the top end of the unit so that the shelving unit is standing upright.



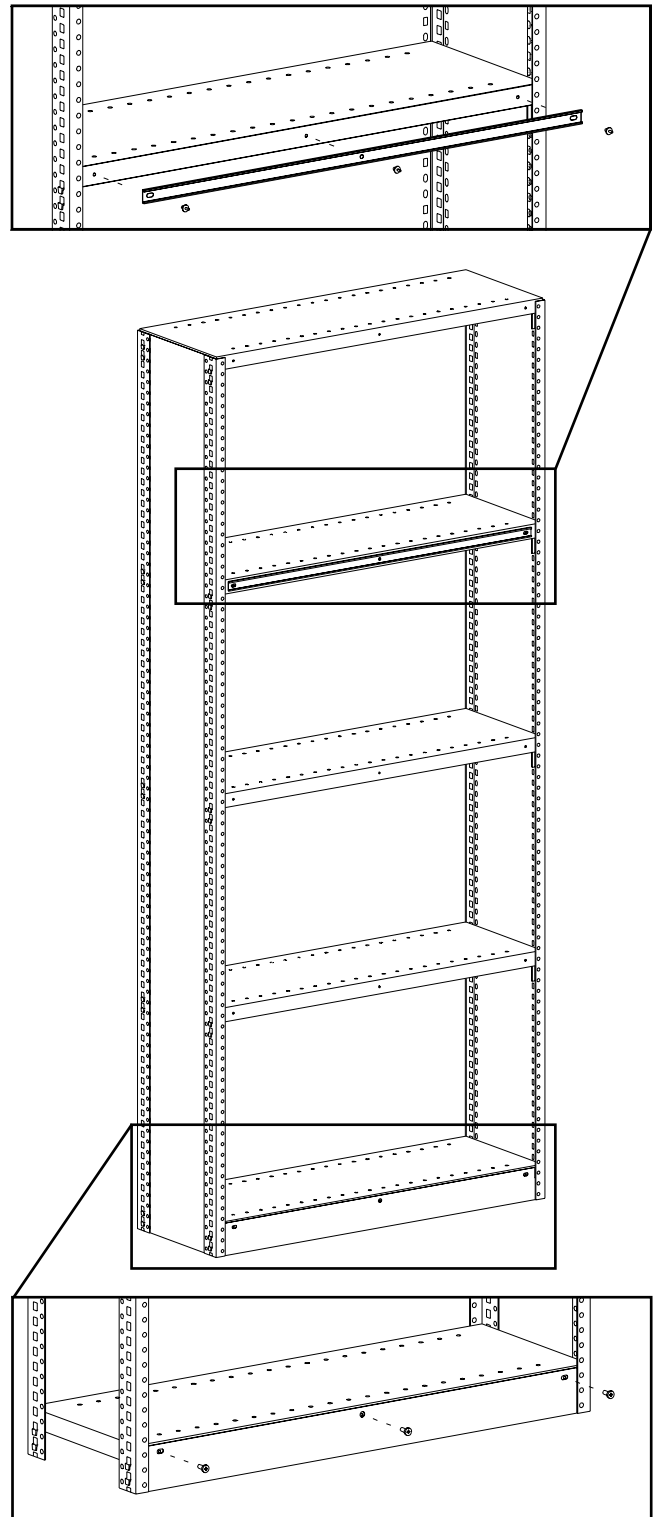
- 13.** Position the remaining shelf clips according to your desired shelf heights, then place the shelves over the clips. Keep in mind while placing the clips, that the post hole pattern of two round holes and then one square hole which is repeated every 3", can greatly help in positioning the clips at the same level.

**NOTE:** Some shelves, depending upon placement, could possibly require repositioning of some of the back and end panel bolts in order to insert the shelf.



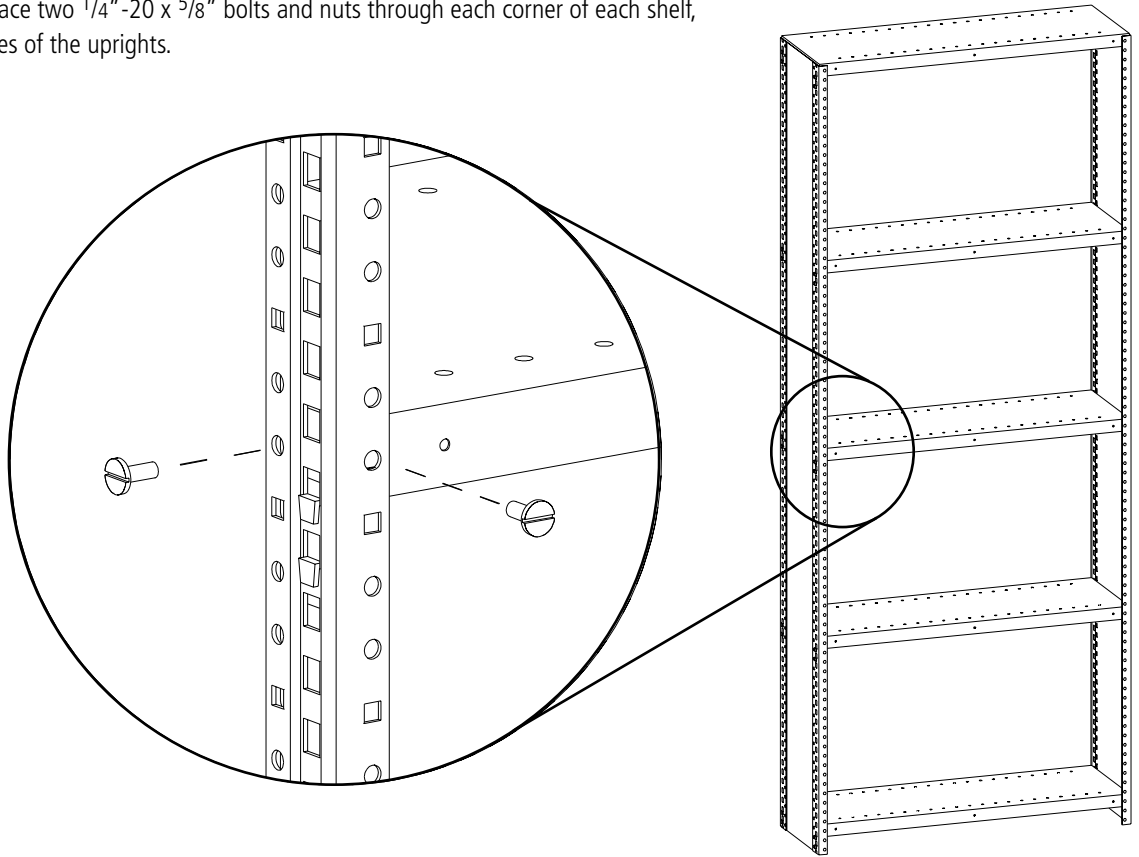
- 14.** Tighten up all bolts and nuts on the side panels.

- 15.** If you purchased the optional label holder (Ref. No. 8) on the front edge of the shelf and secure with three provided P-38F plastic plugs.

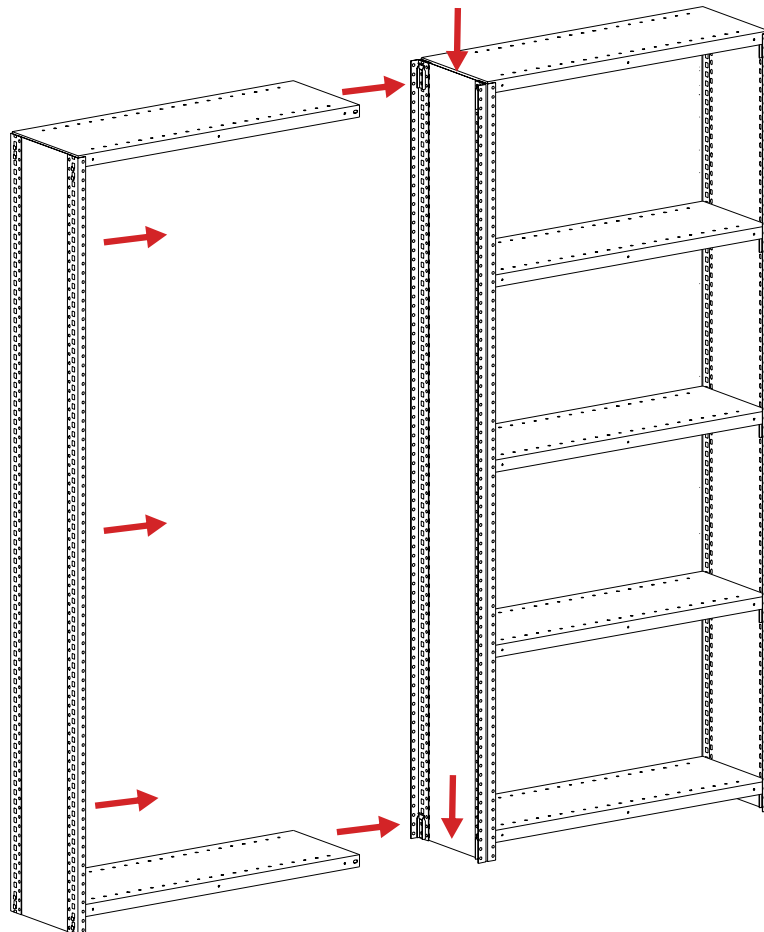


- 16.** If you purchased the optional front base strip (Ref. No. 7), bolt it to the outside of the bottom shelf with the three self-tapping screws provided. Make sure that the ends of the front base strip are behind the front flanges of the uprights.

- 17.** For added strength, place two  $\frac{1}{4}$ "-20 x  $\frac{5}{8}$ " bolts and nuts through each corner of each shelf, and into the small holes of the uprights.

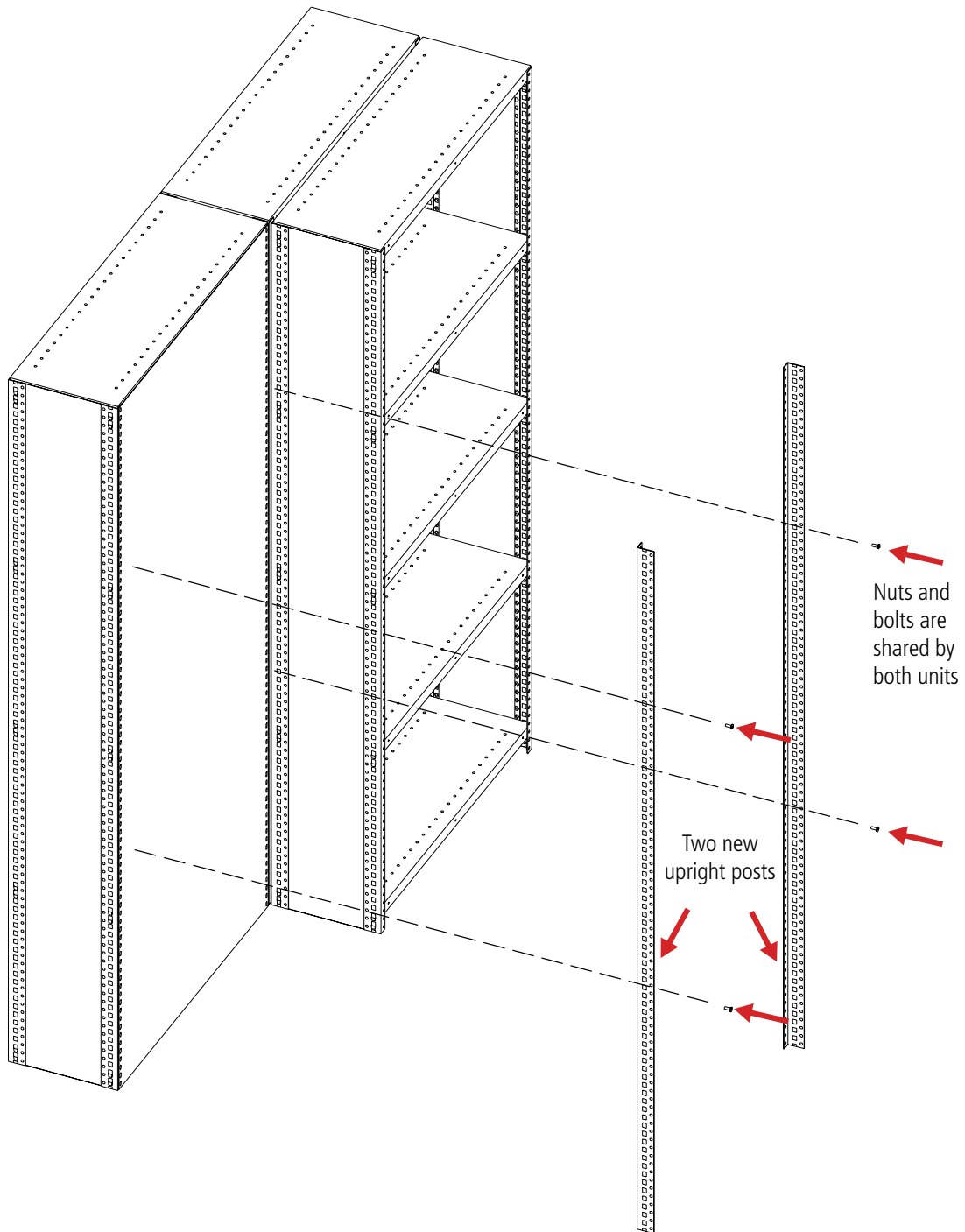


- 18.** If more than one unit is to be used in a row, assemble a new unit end, and then connect this new end to the existing unit (which you already built with the proper uprights if you followed the instructions in step 3) with a top and bottom shelf. After the end is connected, you can then insert the back by bending it slightly and wedging it between the posts and the shelves. Once the back is in place, you may insert the remaining shelves.



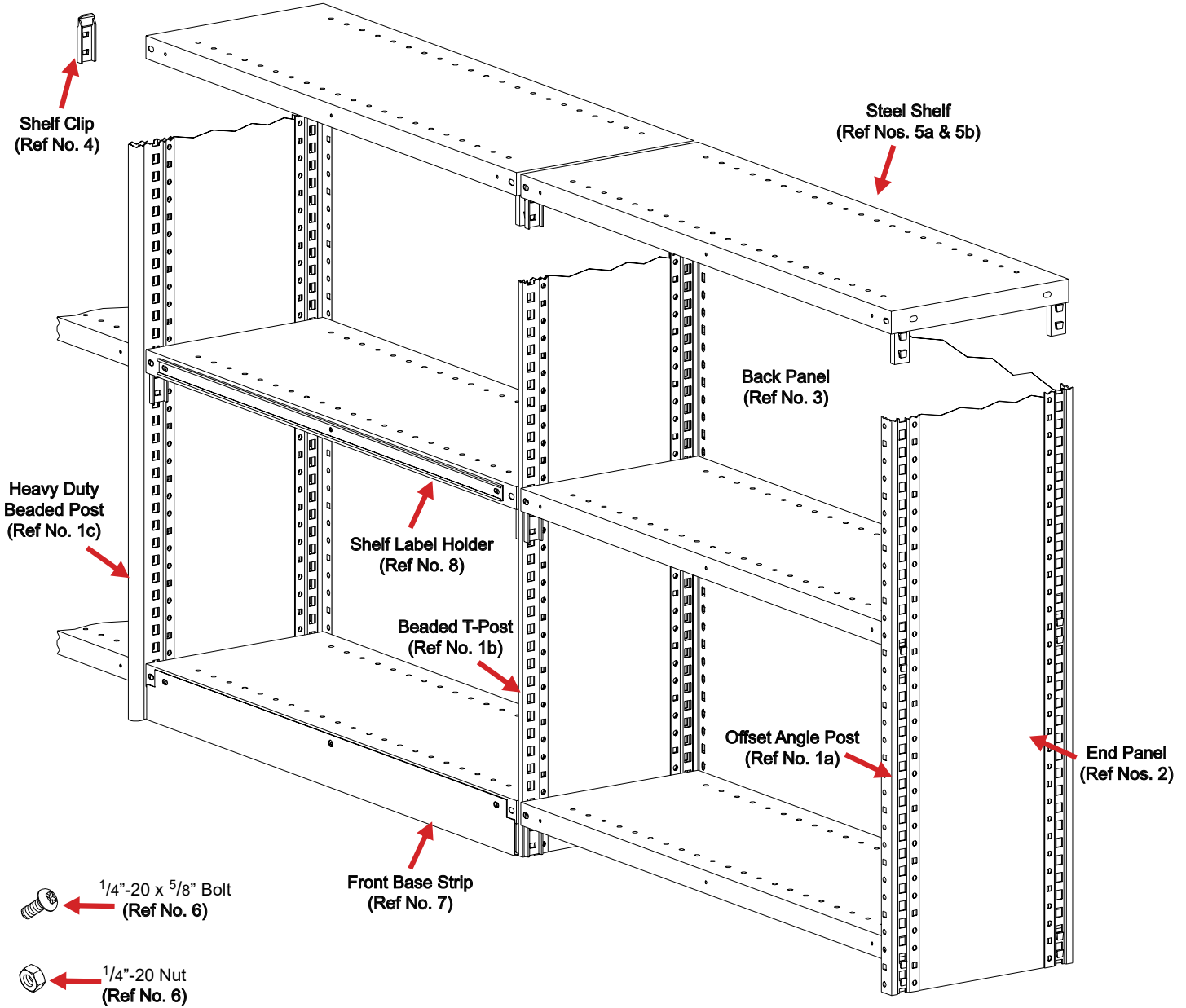
- 18.** If two units are to be used back-to-back, and you have only one back panel, the two units may share the same back panel by attaching it on the outside of the uprights. If you have ordered two units, each with a back, you can use both backs on the inside of the uprights.

**NOTE:** When attaching units back-to-back, you will have to unscrew some of the nuts and bolts you have already attached, as both units will share the same nuts and bolts in the back.





# REPLACEMENT PARTS



REF. NO.	DESCRIPTION	BASIC UNIT PART NUMBERS	REF. NO.	DESCRIPTION	OPTIONAL PART NUMBERS
1a	Offset Angle Post	OAP-hh	7	Optional Front Base Strip	FBS-ww2
1b	Beaded T-Post	BTP-hh	8	Optional Label Holder	LH-ww
1c	Heavy Duty Beaded Post	HBP-hh	9	Optional Hinged Door & Frame*	HD-3687
2	End Panel	EP-DDHH	10	Optional Bin Dividers*	BD-ddhh
3	Back Panel	BP-WWHH	11	Optional Bin Front*	BF-wwhh
4	Shelf Clip	T-1	12	Optional Foot Plate*	FP-1
5a	22 Gauge Steel Shelf	Q2-wwdd	13	Optional Sliding Divider*	SD-ddhh
5b	20 Gauge Steel Shelf	Q-wwdd	14	Optional Shelf Box*	BX-wwdd
6	1/4"-20 x 5/8" Bolts and Nuts**	--			

\*\*Available Locally

\*Not Shown

Part No. is composed of prefix shown plus a combination of the opening of the unit. ww = Width, dd = Depth & hh = Height.

If the shelf has a diamond shaped hole on the end flange on one side, it is a 20 gauge shelf; if not, it is a 22 gauge shelf.

NOTE: Additional hardware may be included for replacement purposes.

Tennsco makes every effort to ensure that all units ship complete with all parts and arrive undamaged. However, should your unit contain missing or damaged parts, please contact your purchase location.